

Power Supply

Controls

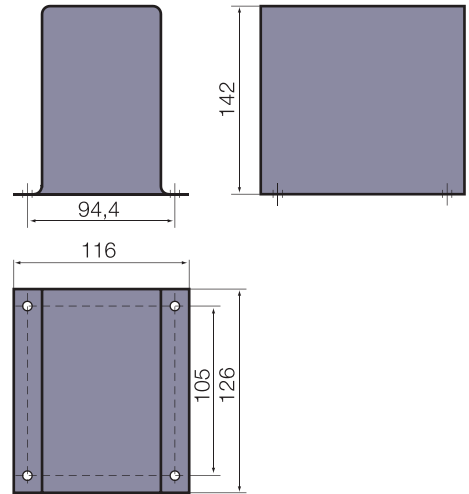
CBC 140-T

- Transformer

Maintenance Manual

- SM 326

	Part#	B905-9999
Supply	VAC	230/400
	Hz	50/60
	VA	150
Output	VAC	27 / 30
	A	6



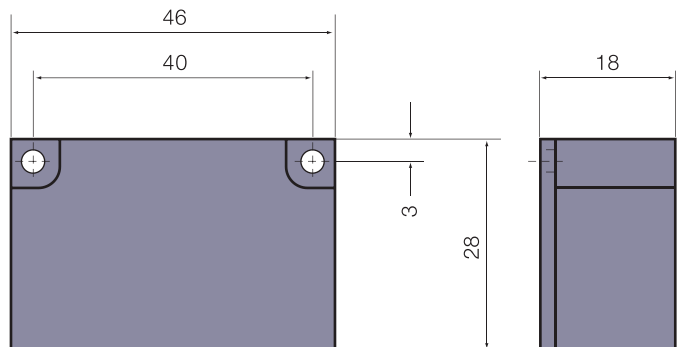
CBC 140-1

- Half wave power supply

Maintenance Manual

- SM 326

	Part#	ACG830A1P1
Supply	VAC	230/400
	Hz	50/60
Output	VDC	103,5/180
	A	1



CBC 140-2

- Full wave power supply

Maintenance Manual

- SM 326

	Part#	ACG830A1P2		
Supply	VAC	27	115	230
	Hz		50/60	
Output	VDC	24	103,5	207
	A		2	

