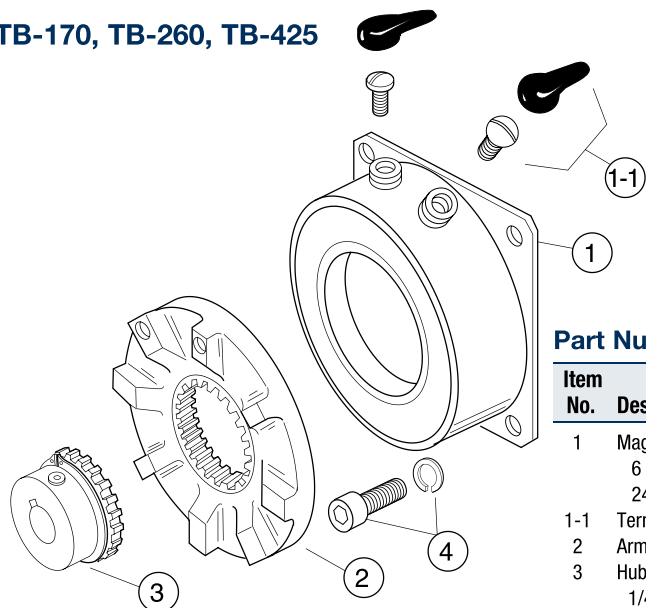


# Brake Assemblies and Part Numbers

## TB Series – Basic Tension Brakes

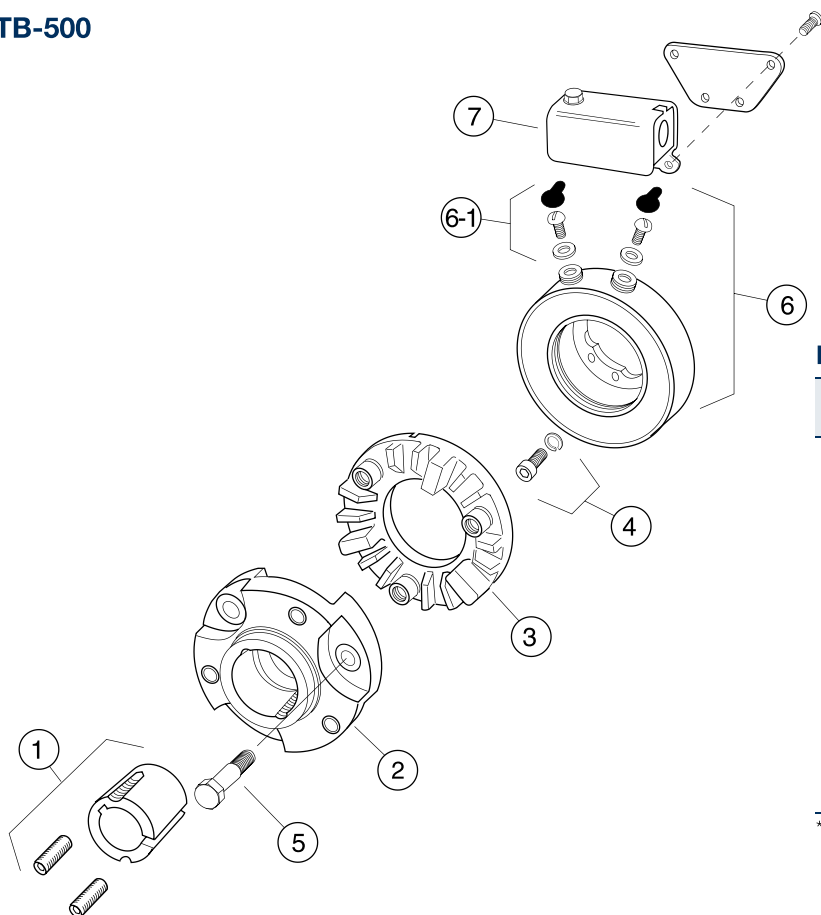
TB-170, TB-260, TB-425



### Part Numbers

Item No.	Description	TB-170		TB-260		TB-425	
		Qty.	P/N	Qty.	P/N	Qty.	P/N
1	Magnet, O.M.	1		1		1	
	6 Volt		5375-631-010		5365-631-013		5367-631-007
	24 Volt		5375-631-012		5365-631-016		5367-631-008
1-1	Terminal Accessory		—	1	5103-101-002	1	5103-101-003
2	Armature	1	110-0096	1	110-0097	1	110-0098
3	Hub Assembly	1		1		1	
	1/4" Bore		5102-541-002		—		—
	5/16" Bore		5102-541-003		—		—
	3/8" Bore		5102-541-004		5103-541-002		—
	1/2" Bore		—		5103-541-004		5104-541-002
	5/8" Bore		—		5103-541-006		5104-541-004
	3/4" Bore		—		5103-541-008		5104-541-006
	7/8" Bore		—		—		5104-541-007
4	Mounting Accessories	1	5102-101-001	1	5102-101-001	1	5104-101-002

TB-500



### Part Numbers

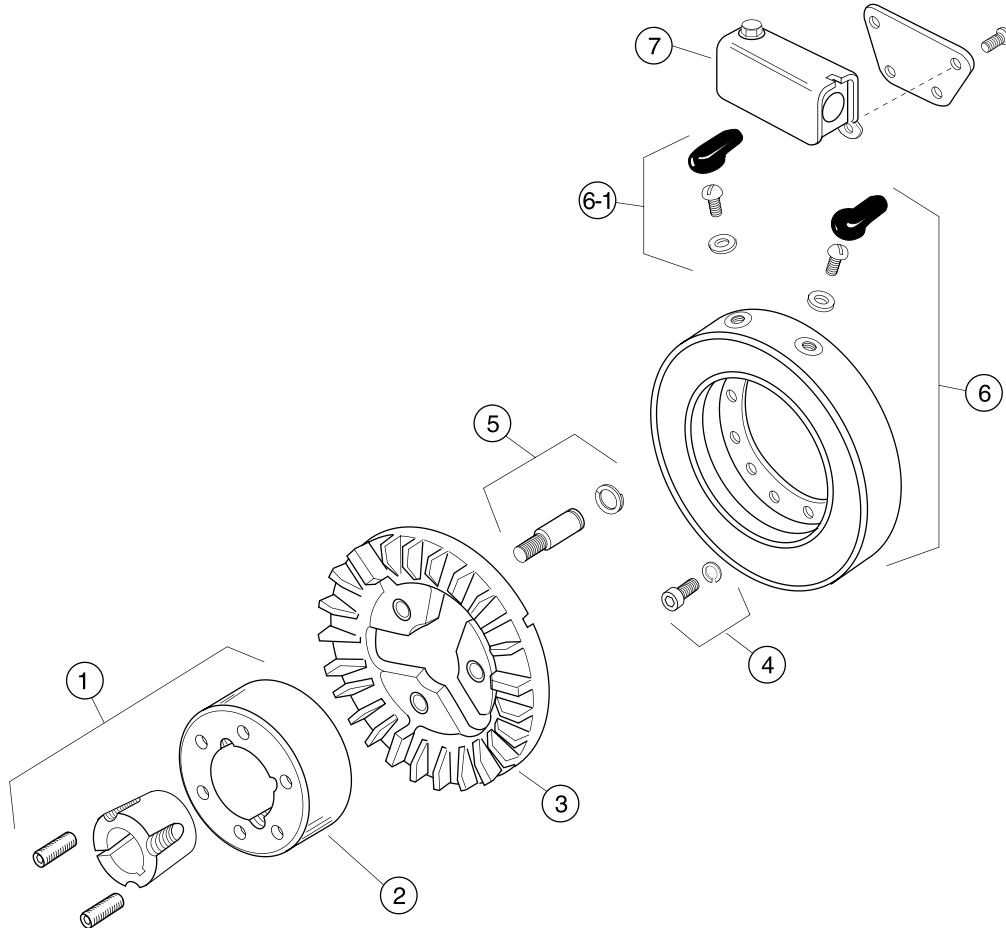
Item No.	Description	TB-500	
		Qty.	P/N
1	Bushing Taperlock*	1	180-0116 to 180-0128
2	Hub, Armature	1	5300-541-004
3	Armature	1	110-0047
4	Magnet Mounting Acc.		
	Inside Mounted	2	5102-101-001
	Outside Mounted	1	5300-101-008
5	Drive Pin	3	5300-101-003
6	Magnet		
	6 Volt I.M.	1	5300-631-019
	6 Volt O.M.	1	5300-631-024
	24 Volt I.M.	1	5300-631-040
	24 Volt O.M.	1	5300-631-051
6-1	Terminal Accessory	1	5311-101-001
7	Conduit Box	1	5200-101-010

\* See page 133 for specific shaft sizes and bushing numbers.

# Brake Assemblies and Part Numbers

## TB Series – Basic Tension Brakes

TB-825, TB-1000, TB-1225, TB-1525



### Part Numbers

Item No.	Description	Qty.	TB-825		TB-1000		TB-1225		TB-1525	
			P/N	Qty.	P/N	Qty.	P/N	Qty.	P/N	
1	Bushing Taperlock*	1	180-0131 to 180-0149	1	180-0185 to 180-0217	1	180-0262 to 180-0295	1	180-0262 to 180-0295	
2	Hub, Armature	1	540-0394	1	540-0313	1	540-0015	1	540-0314	
3	Armature	1	5301-111-019	1	5302-111-021	1	5303-111-011	1	5304-111-005	
4	Magnet Mounting Acc.									
	Inside Mounting	1	5321-101-001	1	5321-101-001	1	5321-101-001	2	5321-101-001	
5	Drive Pin & Retainer	3	5301-101-001	3	5301-101-001	4	5301-101-001	4	5301-101-001	
6	Magnet	1		1		1		1		
	6 Volt I.M.		5311-631-024		5312-631-018		5313-631-017		5314-631-002	
	24 Volt I.M.		5311-631-040		5312-631-034		5313-631-031		5314-631-022	
6-1	Terminal Accessory	1	5311-101-001	1	5311-101-001	1	5311-101-001	1	5311-101-001	
7	Conduit Box	1	5200-101-011	1	5200-101-011	1	5200-101-011	1	5200-101-011	

\* See page 133 for specific shaft sizes and bushing numbers.

These units, when used with the correct Warner Electric conduit box, meet the standards of UL-508 and are listed under the guide card #NMTR, file #59164 and are CSA Certified under file #LR11543.